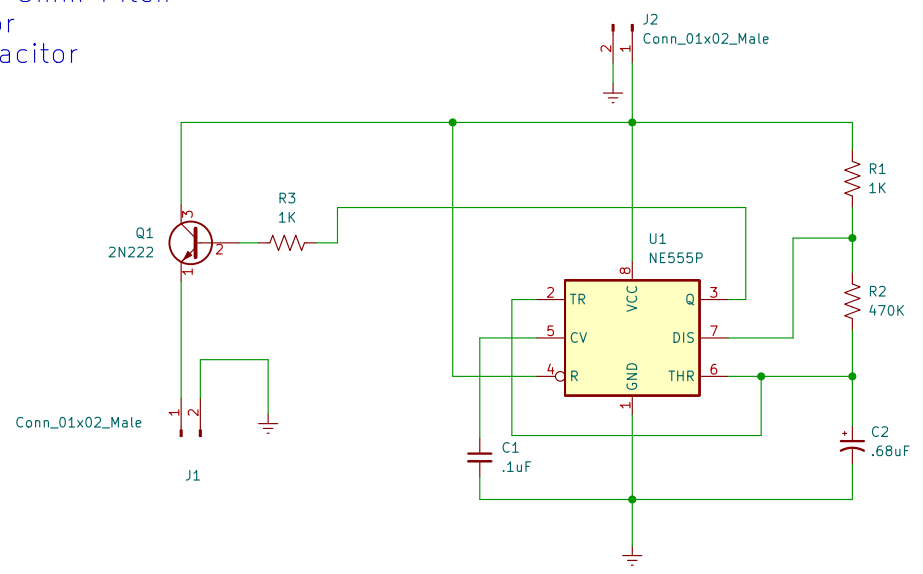




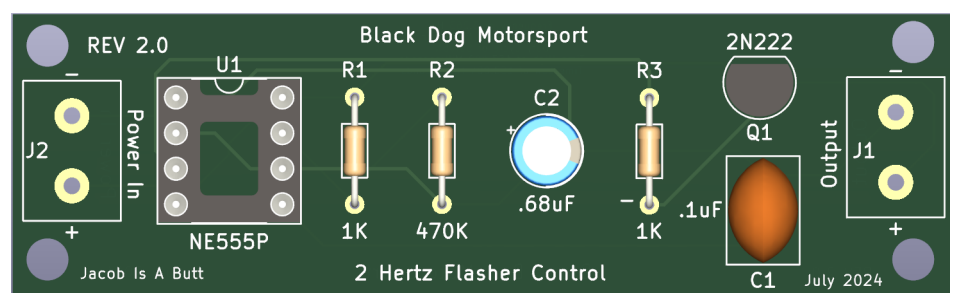
BOM

- 1 NE555P Timer Dip 8
- 1 Dip 8 Socket
- 2 1K 1/4 Watt Resistors
- 1 470K 1/4 Watt Resistor
- 1 2N222 TO-92 Transistor
- 2 Double Screw Terminals 5mm Pitch
- 1 0.1uF Ceramic Capacitor
- 1 0.68uF Electrolytic Capacitor



Values shown result in;

- Frequency of 2.255 Hz
- Period of 443.437 Milliseconds
- Duty Cycle of 50.05%
- Time High of 221.954 Milliseconds
- Time Low of 221.483 Milliseconds



Mark Lowth	
Blackdog Motorsport	
Sheet: /	
File: Rain_Light_Timer_Driver.kicad_sch	
Title: Rain Light Flasher Unit	
Size: A4	Date: 2024-07-06
KiCad E.D.A. kicad (6.0.5)	Rev: 2.0
	Id: 1/1