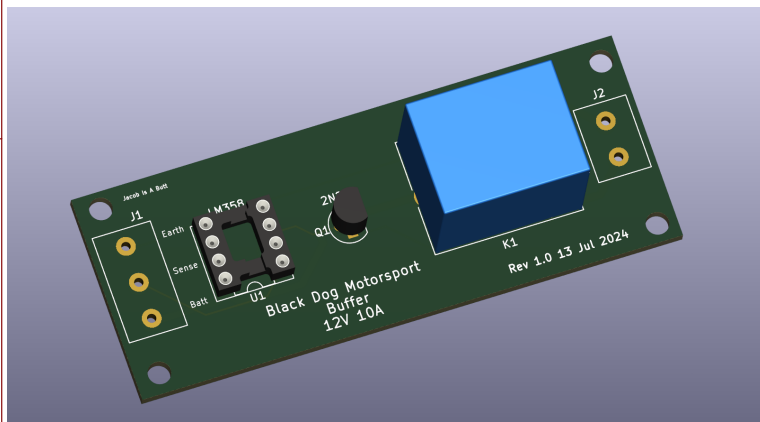
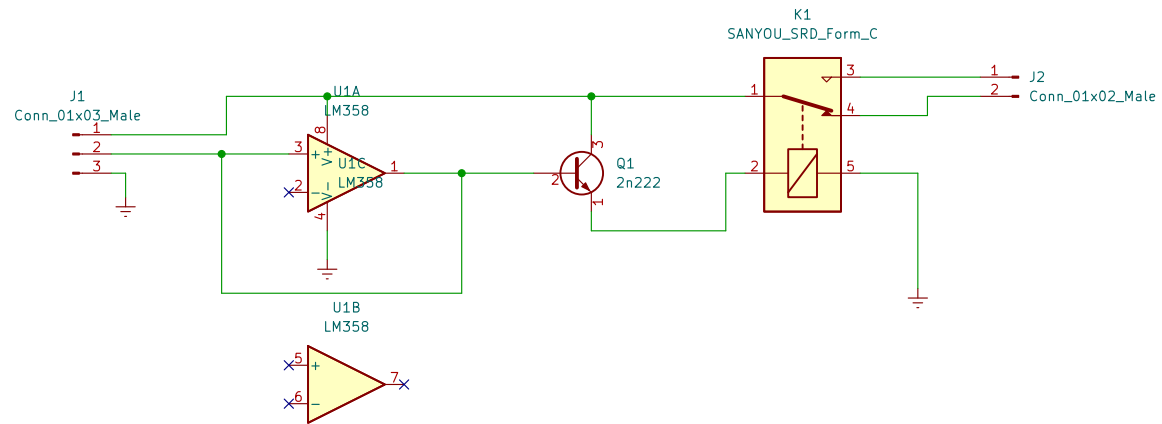




### BOM

- 1 x 3 way screw Header
- 1 x 2 way Screw Header
- 1 x 2n222 Transistor
- 1 x LM358 OpAmp
- 1 x 12V 10A SPDT Relay



Mark Lowth  
**Black Dog Motorsport**

Sheet: /  
File: Spot\_Light\_Buffer.kicad\_sch

**Title: Buffer**

Size: A4 Date: 2024-07-20  
KiCad E.D.A. kicad (6.0.5)

**Rev: Ver1.0**  
Id: 1/1